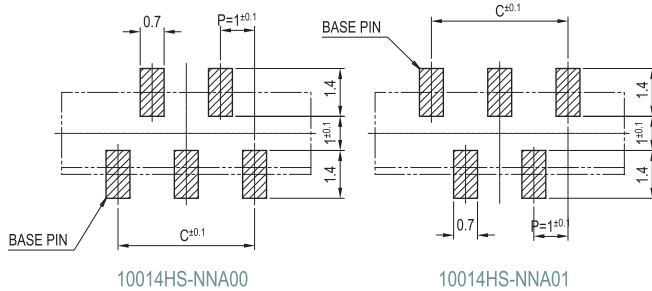
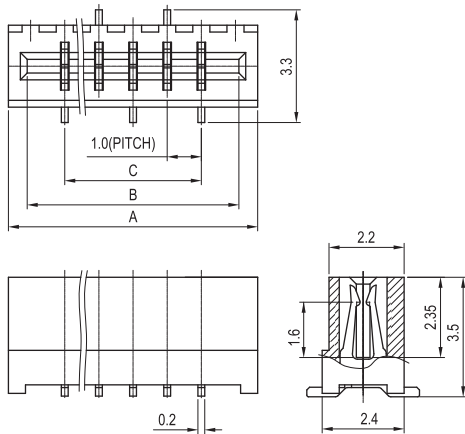
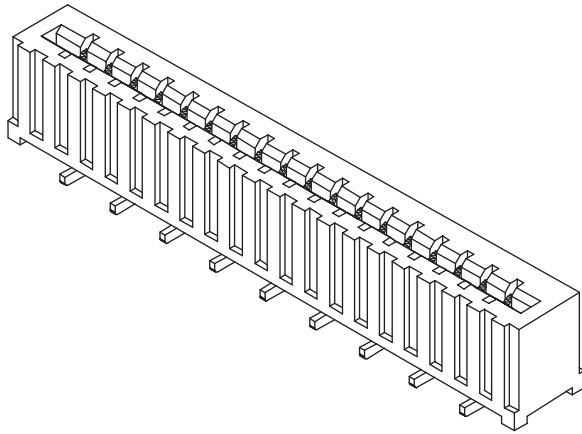


1.00mm (0.039") PITCH CONNECTOR

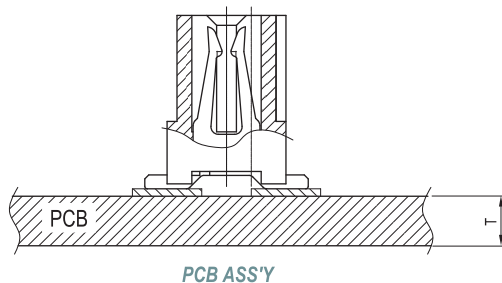


FPC/FFC Connector Housing

10014HR Series
SMT, NON-ZIF(Dual Sided Contact Type)
Vertical



PCB LAYOUT



Material

I/NO	DESCRIPTION	TITLE	MATERIAL
1	HOUSING	10014HS	PA46 or PA6T, UL 94V Grade
2	TERMINAL	10014TS	Phosphor Bronze & Tin plated

Available Pin

PARTS NO.	A	B	C	REMARKS
10014HS-03A00	5.3	4.2	2.0	
10014HS-03A01				
10014HS-04A00	6.3	5.2	3.0	
10014HS-04A01				
10014HS-05A00	7.3	6.2	4.0	
10014HS-05A01				
10014HS-06A00	8.3	7.2	5.0	
10014HS-06A01				
10014HS-07A00	9.3	8.2	6.0	
10014HS-07A01				
10014HS-08A00	10.3	9.2	7.0	
10014HS-08A01				
10014HS-09A00	11.3	10.2	8.0	
10014HS-09A01				
10014HS-10A00	12.3	11.2	9.0	
10014HS-10A01				
10014HS-11A00	13.3	12.2	10.0	
10014HS-11A01				
10014HS-12A00	14.3	13.2	11.0	
10014HS-12A01				
10014HS-13A00	15.3	14.2	12.0	
10014HS-13A01				
10014HS-14A00	16.3	15.2	13.0	
10014HS-14A01				
10014HS-15A00	17.3	16.2	14.0	
10014HS-15A01				
10014HS-16A00	18.3	17.2	15.0	■ GRY
10014HS-16A01				
10014HS-17A00	19.3	18.2	16.0	■ BLK
10014HS-17A01				
10014HS-18A00	20.3	19.2	17.0	■ NTR
10014HS-18A01				
10014HS-19A00	21.3	20.2	18.0	
10014HS-19A01				
10014HS-20A00	22.3	21.2	19.0	
10014HS-20A01				
10014HS-21A00	23.3	22.2	20.0	
10014HS-21A01				
10014HS-22A00	24.3	23.2	21.0	
10014HS-22A01				
10014HS-23A00	25.3	24.2	22.0	
10014HS-23A01				
10014HS-24A00	26.3	25.2	23.0	
10014HS-24A01				
10014HS-25A00	27.3	26.2	24.0	
10014HS-25A01				
10014HS-26A00	28.3	27.2	25.0	
10014HS-26A01				
10014HS-27A00	29.3	28.2	26.0	
10014HS-27A01				
10014HS-28A00	30.3	29.2	27.0	
10014HS-28A01				
10014HS-29A00	31.3	30.2	28.0	
10014HS-29A01				
10014HS-30A00	32.3	31.2	29.0	
10014HS-30A01				

Specification

ITEM	SPEC
Voltage Rating	AC/DC 50V
Current Rating	AC/DC 1A
Operating Temperature	-25°C~+85°C
Contact Resistance	30mΩ MAX
Withstanding Voltage	AC500V/1min
Insulation Resistance	100MΩ MIN
Applicable Wire	-
Applicable P.C.B	0.8 ~ 1.6mm
Applicable FPC/FFC	0.30±0.05mm
Solder Height	0.15mm
Crimp Tensile Strength	-
UL FILE NO	-